



SE5F230

Valve actuator for 3-position control,
230 V AC. Force 500 N.

Valve actuator for control of AB Industrietechnik's valves
VFG2, VFG3, VFD2, VFD3, VFDH up to DN80

- Protection class IP54
- Stroke 10...30 mm

- Manual manoeuvring
- Easy to mount on the valve
- Position indication

SE5F230 is a valve actuator intended for control of AB Industrietechnik's valves. Information on which valves are suitable can be found in the product information for each valve. AB Industrietechnik also offers adapters for adjusting the actuator to valves of other brands.

Stroke and endpoints need not be calibrated

Stroke and endpoint calibration is not necessary due to a construction utilizing endpoint stops.

When the valve reaches the endpoint, a force is generated. Once the force of the actuator reaches a predefined level, the limit switch automatically halts the drive motor.

Position indications

There are two position indications for the stem, one red and one blue. They can be used for endpoint indication, since they accompany the stem to its endpoint. They can also be switched to indicate whether the actuator is opening or closing.

Manual override

The valve position can be changed manually using the knob located in the actuator lid.

* Table valves VFSG

TYPE		CONNECTION	KVS m ³ /h	ACTUATORS MAX DIFF. PRESS. IN BAR (**)			
2 WAYS	3 WAYS			SE5	SE10	SE18	SE25
VFSG232	VFSG332	DN32	16	5 (5)	5 (11)	N/A	N/A
VFSG240	VFSG340	DN40	27	3,3 (3,3)	5 (7)	N/A	N/A
VFSG250	VFSG350	DN50	39	N/A	N/A	5 (8)	5 (12)
VFSG265	VFSG365	DN65	63	1,0 (1,0)*	2,3 (2,3)*	4,4 (4,4)	4,4 (6,3)
VFSG280	VFSG380	DN80	100	N/A	N/A	3,4 (3,4)	3,4 (4,5)
VFSG2100	VFSG3100	DN100	160	N/A	N/A	2,1 (2,1)	2,1 (3)
VFSG2125	VFSG3125	DN125	215	N/A	N/A	1,3 (1,3)	1,7 (1,7)
VFSG2150	VFSG3150	DN150	310	N/A	N/A	0,9 (0,9)	1,2 (1,2)

red Recommended actuator

N/A Not selectable because of valve stroke and plug design..

* Actuator needs to be complemented with stem connection OVA-F3.

(**) The values in the brackets are the max diff. pressures when the valve is fully closed and actuator is still able to open or close the valve with security. The values outside the brackets are the suggested max pressure drop (valve fully open).

Technical data

Supply voltage	230 V AC \pm 15%, 50 Hz
Control signal	3-position
Power consumption	12 W
Stroke	10...30 mm
Stroke time	3 s/mm
Force	500 N
Ambient temperature	0...50°C
Storage temperature	-40...+80°C
Ambient humidity	10...90 % RH
Protection class	IP54

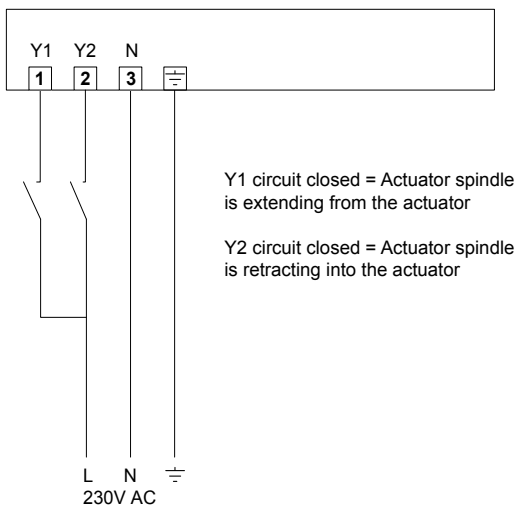


Low Voltage Directive (LVD) standards: This product conforms to the requirements of the European Low Voltage Directive (LVD) 2006/95/EC through product standards EN60730-1:2000 and EN60730-2-14:1997.

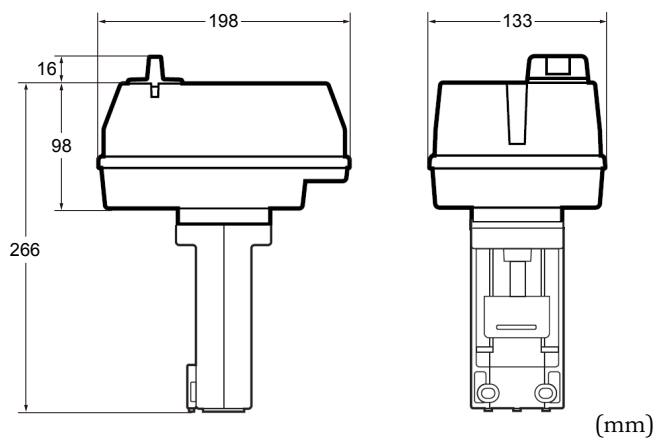
EMC emissions & immunity standards: This product conforms to the requirements of the EMC Directive 2004/108/EC through product standards EN60730-1:2000 and EN60730-2-14:1997.

RoHS: This product conforms to the Directive 2011/65/EU of the European Parliament and of the Council.

Wiring



Dimensions



AB Industrietechnik Srl

Via Julius Durst, 70 - 39042 Bressanone (BZ) - Italy
Tel. +39 0472/830626 - Fax +39 0472/831840
www.industrietechnik.it - info@industrietechnik.it