



SE10M24

Valve actuator for 0(2)...10V control signal.
Force 1000 N.

Valve actuator for control of AB Industrietechnik's valves.
The actuator has automatic self stroke adjustment and can be operated manually.

- Protection class IP54
- Stroke 10...30 mm
- Manual operation

- Automatic stroke adjustment
- Easy to mount the valve
- Position indication

Stroke and endpoint calibration

Stroke and endpoint calibration is not necessary due to a construction utilizing end-position stops. When the valve reaches the endpoint, a force is generated. Once the force of the actuator reaches a predefined level, the limit switch automatically halts the drive motor.

Override

Activation of the override input will force the valve to the maximum open position.

Suitable valves

The actuator is intended for control of valves from AB Industrietechnik. Information on suitable valves can be found in the product information for each valve. AB Industrietechnik also offers adapters for adjusting the actuator to valves of other brands.

Indications

The actuator has two LEDs with indications according to the table below.

Indication	
Green steady light	Actuator working properly
Green light quick flashing	Test run in progress
Green light slow flashing	The setting was changed during the operation. The new setting will be valid after the next power on.
Red and green steady light	End position reached
Red light slow flashing	Override operating mode
Red steady light	Operation faulty, either the improper installation or the valve stroke lost

* Table valves VFSG

TYPE		CONNECTION	KVS m ³ /h	ACTUATORS MAX DIFF. PRESS. IN BAR (**)			
2 WAYS	3 WAYS			SE5	SE10	SE18	SE25
VFSG232	VFSG332	DN32	16	5 (5)	5 (11)	N/A	N/A
VFSG240	VFSG340	DN40	27	3,3 (3,3)	5 (7)	N/A	N/A
VFSG250	VFSG350	DN50	39	N/A	N/A	5 (8)	5 (12)
VFSG265	VFSG365	DN65	63	1,0 (1,0)*	2,3 (2,3)*	4,4 (4,4)	4,4 (6,3)
VFSG280	VFSG380	DN80	100	N/A	N/A	3,4 (3,4)	3,4 (4,5)
VFSG2100	VFSG3100	DN100	160	N/A	N/A	2,1 (2,1)	2,1 (3)
VFSG2125	VFSG3125	DN125	215	N/A	N/A	1,3 (1,3)	1,7 (1,7)
VFSG2150	VFSG3150	DN150	310	N/A	N/A	0,9 (0,9)	1,2 (1,2)

red Recommended actuator

N/A Not selectable because of valve stroke and plug design..

* Actuator needs to be complemented with stem connection OVA-F3.

(**) The values in the brackets are the max diff. pressures when the valve is fully closed and actuator is still able to open or close the valve with security. The values outside the brackets are the suggested max pressure drop (valve fully open).

Technical data

Supply voltage	24 V AC $\pm 15\%$, 50/60 Hz, or 24 V DC $\pm 15\%$
Control signal	0(2)...10 V DC or 4...20 mA. For 4...20 mA control signal, a 500 Ω resistor must be mounted parallel to the input signal, i.e. between terminals 2 and 3. SW2 should be in position 1 (On).
Power consumption	Max. 8 W
Stroke	10...30 mm
Stroke time	3 s/mm
Force	1000 N
Ambient temperature	0...50°C
Storage temperature	-40...+80°C
Ambient humidity	10...90 % RH
Protection class	IP54



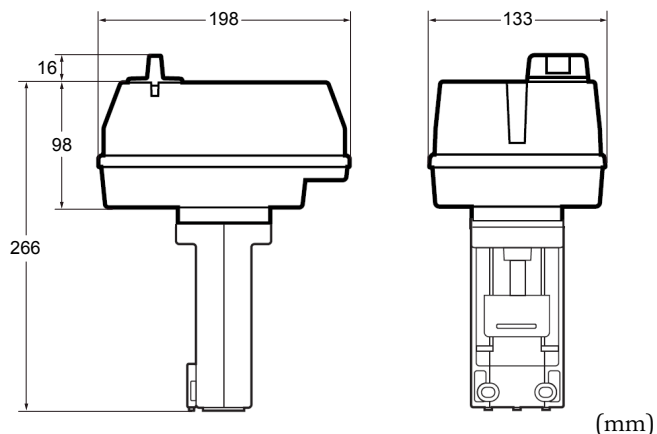
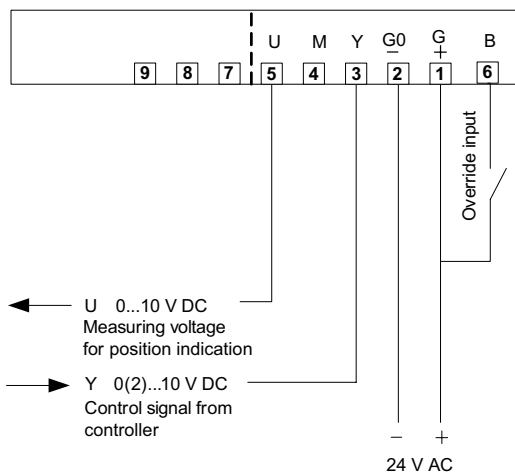
EMC emissions & immunity standards: This product conforms to the requirements of the EMC Directive 2004/108/EC through product standards EN60730-1:2000 and EN60730-2-14:1997.

RoHS: This product conforms with the Directive 2011/65/EU of the European Parliament and of the Council.

DIP-switches

	1 (On)	0 (Off)
SW1	Spindle down when the valve is closed	Spindle up when the valve is closed (FS=factory setting)
SW2	Y = 2...10 V DC	Y = 0...10 V DC (FS)
SW3	Reverse operation	Direct operation (FS)
SW4	Y signal split in accordance with the setting of SW5	No split function (FS)
SW5	5(6)...10 V = 0...100%	0(2)...5(6) V = 0...100% (FS)

Wiring and dimensions



AB Industrietechnik Srl

Via Julius Durst, 70 - 39042 Bressanone (BZ) - Italy
 Tel. +39 0472/830626 - Fax +39 0472/831840
 www.industrietechnik.it - info@industrietechnik.it