



SE10F24

Valve actuator for 3-point control signal.
Force 1000 N.

Valve actuator for control of AB Industrietechnik's valves.
The actuator can be operated manually.

- Protection class IP54
- Manual operation
- Easy to mount on the valve
- Stroke 10...30 mm
- Position indication

SE10F24 is a valve actuator intended for control of AB Industrietechnik's valves. Using an adaptor kit, the actuator can also be adapted for use with other valves on the market.

Stroke and endpoint calibration

Stroke and endpoint calibration is not necessary due to a construction utilizing endpoint stops.

When the valve reaches the endpoint, a force is generated. Once the force of the actuator reaches a predefined level, the limit switch automatically halts the drive motor.

Position indications

There are two position indications for the stem, one red and one blue. They can be used for endpoint indication, since they accompany the stem to its endpoint. They can also be switched to indicate whether the actuator is opening or closing.

Manual override

The valve position can be changed manually using the knob located in the actuator lid.

* Table valves VFSG

TYPE		CONNECTION	KVS m ³ /h	ACTUATORS MAX DIFF. PRESS. IN BAR (**)			
2 WAYS	3 WAYS			SE5	SE10	SE18	SE25
VFSG232	VFSG332	DN32	16	5 (5)	5 (11)	N/A	N/A
VFSG240	VFSG340	DN40	27	3,3 (3,3)	5 (7)	N/A	N/A
VFSG250	VFSG350	DN50	39	N/A	N/A	5 (8)	5 (12)
VFSG265	VFSG365	DN65	63	1,0 (1,0)*	2,3 (2,3)*	4,4 (4,4)	4,4 (6,3)
VFSG280	VFSG380	DN80	100	N/A	N/A	3,4 (3,4)	3,4 (4,5)
VFSG2100	VFSG3100	DN100	160	N/A	N/A	2,1 (2,1)	2,1 (3)
VFSG2125	VFSG3125	DN125	215	N/A	N/A	1,3 (1,3)	1,7 (1,7)
VFSG2150	VFSG3150	DN150	310	N/A	N/A	0,9 (0,9)	1,2 (1,2)

red Recommended actuator

N/A Not selectable because of valve stroke and plug design.

* Actuator needs to be complemented with stem connection OVA-F3.

(**) The values in the brackets are the max diff. pressures when the valve is fully closed and actuator is still able to open or close the valve with security. The values outside the brackets are the suggested max pressure drop (valve fully open).

Technical data

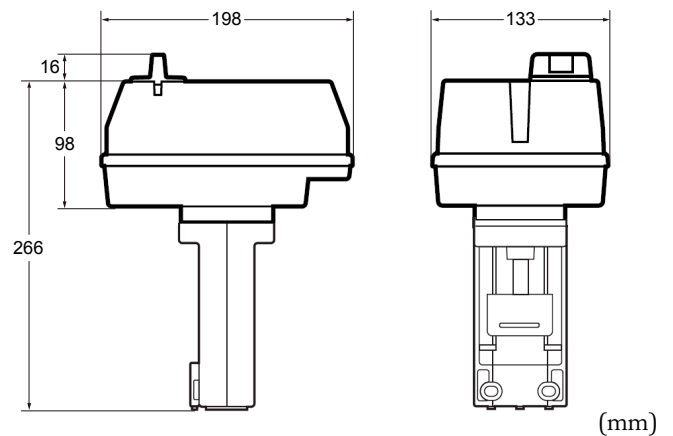
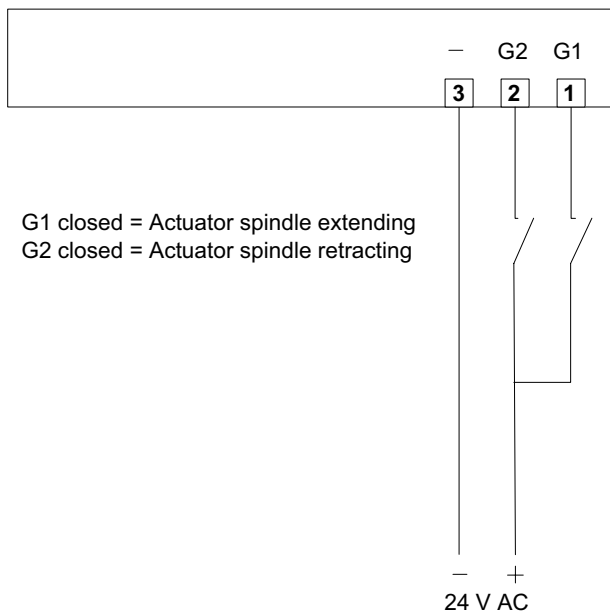
Supply voltage	24 V AC $\pm 15\%$, 50/60 Hz
Control signal	3-point
Power consumption	Max. 8 W
Stroke	10...30 mm
Stroke time	3 s/mm
Force	1000 N
Ambient temperature	0...50°C
Storage temperature	-40...80°C
Ambient humidity	10...90% RH
Protection class	IP54



This product conforms with the EMC requirements of European harmonised standards EN60730-1:2000 and EN60730-2-8:2002 and carries the CE mark. It also conforms with the requirements of European LVD standards EN60730-1:2000 and EN60730-2-8:2002.

RoHS: This product conforms to the Directive 2011/65/EU of the European Parliament and of the Council.

Wiring and Dimensions



AB Industrietechnik Srl

Via Julius Durst, 70 - 39042 Bressanone (BZ) - Italy
 Tel. +39 0472/830626 - Fax +39 0472/831840
 www.industrietechnik.it - info@industrietechnik.it