



ELECTROTHERMAL ACTUATORS 100N / 140N TO BE USED WITH VFX VALVES

SEI

APPLICATION

Electrothermal actuator SEI is used to control zone and fan-coil valves in HVAC systems. SEI is suitable to drive VFX valve bodies series.

When actuators are not powered the valves are normally closed on direct way.

When actuators are powered, opens the direct way and close the third way. Two action types are available: On-Off and modulating 0...10 Vdc.

The sensing element inside the capsule spreads out causing the movement of the shaft. So the stem valve connected to the shaft moves and opens the valve.

When actuator is powered off, the shaft goes up and the valve moves to the closed position by a spring return. The assembly actuator/valve body is done easily with a metal ring nut.

The actuator is fitted with a position valve indication. SEI is suitable for control valves VFX.

TYPE	FORCE N	STROKE mm	POWER SUPPLY Vac 50/60 HZ	ACTION	CONSUMPTION VA
SEIT24	100	2.5	24 ±10%	On/Off	3.0
SEIT230	100	2.5	230 ±10%	On/Off	3.0
SEIT24S	100	2.5	24 ±10%	On/Off	3.0
SEIT230S	100	2.5	230 ±10%	On/Off	3.0
SEITP24	140	2.5	24 ±10%	On/Off	3.0
SEITP230	140	2.5	230 ±10%	On/Off	3.0
SEITP24S	140	2.5	24 ±10%	On/Off	3.0
SEITP230S	140	2.5	230 ±10%	On/Off	3.0
SEIM24	100	2.5	24 ±10%	modulating 0...10 Vdc	3.5
SEIMP24	140	2.5	24 ±10%	modulating 0...10 Vdc	3.5

S with 1 auxiliary microswitch, only for models SEIT and SEITP (On-Off)

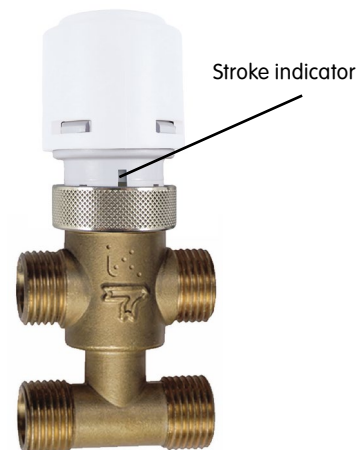
TECHNICAL DATA

Power supply:	
SEIM24, SEIMP24	24 Vac ± 10% 50/60 Hz
SEIT24, SEITP24	24 Vac ± 10% 50/60 Hz
SEIT230, SEITP230	230 Vac ± 10% 50/60 Hz
Peak current:	
SEIM24, SEIMP24	< 0.25 A
SEIT24, SEITP24	< 0.25 A
SEIT230, SEITP230	< 0.70 A
Aux. switch rating:	250 Vac 3 A
Sensing element:	special wax
Timing:	
SEIT230, SEITP230	3.5 min (2.5 mm at 20 °C)
SEIT24, SEITP24	4.5 min (2.5 mm at 20 °C)
Working temp.:	0...50 °C
Working humidity:	10...90 % r.h. (without condensing)
Storage temp.:	-20...70°C < 95% r.h.
Cable:	PVC, section 2 x 0,50 mm ² , length 2 m
Connection:	metal ring M30 x 1.5
Housing:	matte polycarbonate
Protection class:	IP40, IP44 if mounted vertically class II (SEIT230, SEITP230), class III (SEIT24, SEITP24, SEIM24, SEIMP24)
Self extinguishing:	V0 - V1 according to UL94
Dimensions:	SEIT Ø 40 x 61 mm SEIM Ø 40 x 78 mm
Weight:	200 g

INSTALLATIONS

Mount the thermal actuator on the valve body and tighten the metal ring nut on the thread of bonnet valve body (fig.1). This operation must be done when the actuator is cold (not powered on). Perform the electrical connections as per electrical wiring diagrams. Pay attention that the power supply value corresponds to the value of actuator indicated on label stuck on the unit.

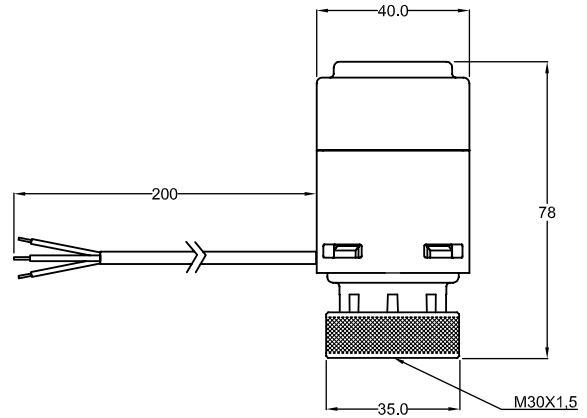
fig.1



WIRING DIAGRAM AND DIMENSIONS (mm)

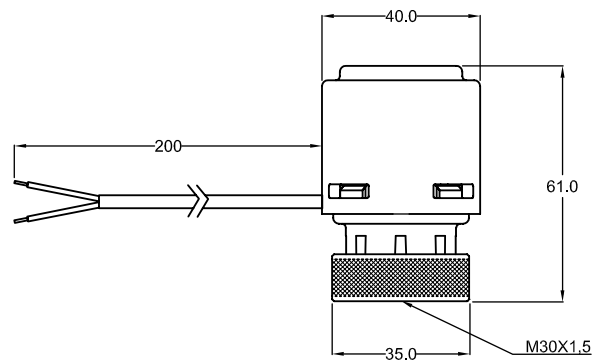
SEIM24, SEIMP24

COM	Blue
IN. (V) 0...10 V	Black
24 Vac	Brown

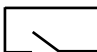


SEIT24, SEITP24 / SEIT230, SEITP230

COM	Blue
24/230 Vac SEIT24, SEITP24/ SEIT230, SEITP230	Brown



SEIT24S, SEITP24S / SEIT230S, SEITP230S

COM	Blue
24/230 Vac SEIT24S, SEITP24S/ SEIT230S, SEITP230S	Brown
Contatto ausiliario 	Grey
	Black

Closed valve A-AB way, contact open
Open valve A-AB way, contact closed

