



## ONE STAGE ROOM THERMOSTATS FOR FAN COIL

**DB-TA-3F3..9**

### FUNCTION

Temperature control for typically 2-pipe fan coil systems with one stage.

- 1 relay output;
- manual selection of On/Off, 3 fan speed (depending on model);
- internal or remote temperature sensor (optional).

The thermostat is provided with a LCD display and keys +/- for parameters setting like the range, the differential in the stage, the mode of operating. In normal condition of use the temperature is visualized with a step of 0.1 °C. The voltage free On/Off switch connected together with the 3 fan speeds switch allow to power on and off the fan.

TYPE	ON/OFF	3-SPEED	DIFFERENTIAL K
DB-TA-3F3-139	•	•	0.5...4
DB-TA-3F3-199	•		0.5...4
DB-TA-3F3-939		•	0.5...4
DB-TA-3F3-999			0.5...4

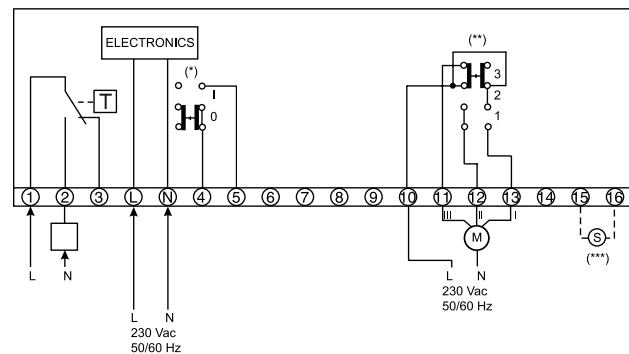
### On request:

optional remote 2 m cable sensor, selectable by jumper; ordering code: NT0220-NTC10-02.

### TECHNICAL DATA

**Power supply:** 230 Vac  $\pm$  10 %, 50/60 Hz  
**Outputs:** valves: 1 relay SPDT 6 A 250 Vac  
 speed: 6 A 230 Vac, 50/60 Hz  
**Power cons.:** 1 W  
**Sensor:** NTC 10K  
**Setpoint:** +5...+30 °C  
**Differential in stage:** 0.5...4 K  
**Display:** resolution 0.1 °C  
**Working:** 0...+40 °C  
 10...90% r.h. (without condensing)  
**Storage:** -20...+70 °C  
 < 95 % r.h.  
**Housing:** ABS fireproof according to UL94 V-0 color (RAL 9010)  
**Protection class:** IP30, class II  
**Size:** 144 x 82 x 34 mm  
**Weight:** 220 g

### WIRING DIAGRAM



(\*) only for models DB-TA-3F3-139, DB-TA-3F3-199

(\*\*) only for models DB-TA-3F3-139, DB-TA-3F3-939

(\*\*\*) remote sensor (optional)

### Logic of relay outputs

