



ROOM CONTROLLERS FOR FAN COIL WITH ONE 0-10 V OUTPUT AND ONE RELAY OUTPUT FOR 4-PIPE SYSTEM

DB-TA-3A9

FUNCTION

Temperature control in heating, ventilation, refrigeration and air conditioning for typically 4-pipe fan coil systems.

- 1 heating relay output
- 1 proportional output 0...10 Vdc
- manual selection of On/Off, 3 fan speed

The thermostat is provided with a LCD display and keys +/- for parameters setting like the range, the neutral zone, proportional band. In normal condition of use the temperature is visualized

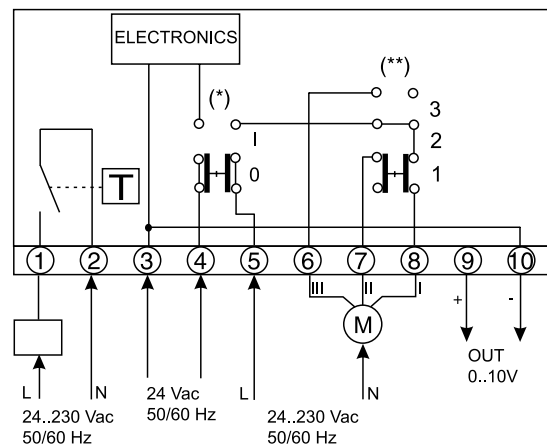
with a step of 0.1 °C. When the thermostat is off, the fan is off, the proportional output is set to 0 Vdc and the relay is off. When the thermostat is on the fan is on at the speed selected manually and the proportional output is set according to parameter setting. The relay is activated with action opposed to the action of the proportional output.

TYPE	ON/OFF	3-SPEED	DEAD ZONE K
DB-TA-3A9-130	•	•	1...4
DB-TA-3A9-100	•		1...4
DB-TA-3A9-000			1...4

TECHNICAL DATA

Power supply: 24 Vac ± 10%, 50/60 Hz
Outputs: valves: 1 0-10 V outputs ($R_i > 10 \text{ k}\Omega$)
 1 relay output 6 A 230 Vac
 speeds: 6 A 24/230 Vac, 50/60 Hz
Power cons.: 1 W
Sensor: NTC 10K
Setpoint: +5...+30 °C
Differential: 0.5...2 K (relay)
Prop. band: ± 0.5...± 2.5 K
Display: resolution 0.1 °C
Working: 0...+40 °C
 10...90% r.h. (without condensing)
Storage: -20...+70 °C
 < 95 % r.h.
Housing: ABS fireproof according to UL94 V-0 color (RAL 9010)
Protection class: IP30, class II
Size: 144 x 82 x 34 mm
Weight: 220 g

WIRING DIAGRAM



(*) only for models DB-TA-3A9-130, DB-TA-3A9-100

(**) only for model DB-TA-3A9-130

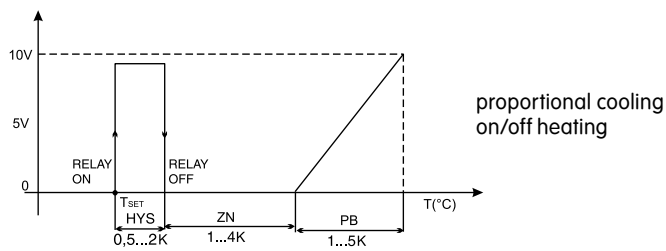


ROOM CONTROLLERS FOR FAN COIL WITH ONE 0-10 V OUTPUT AND ONE RELAY OUTPUT FOR 4-PIPE SYSTEM

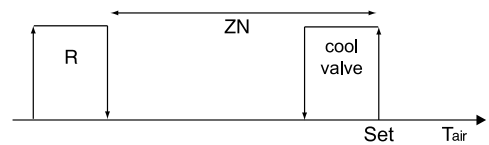
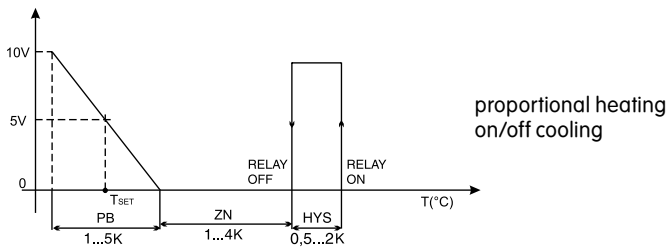
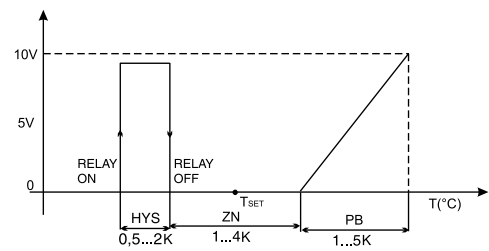
DB-TA-3A9

Logic of outputs

Tset centered in heating



Tset centered in dead zone



- ZN** neutral zone
- PB** proportional band
- HYS** differential