



ROOM REGULATOR FOR 2- OR 4-PIPE FAN COILS, ON-OFF

DB-TA-385

FUNCTION

Control of 2- or 4 pipe fan coil unit with EC fan.

Regulation is based on room temperature by:

- knob for setpoint adjustment
- manual selection of ventilation type: based on temperature/off/continuous

- fan control: 2 manual constant speed or modulating
- season changeover
- internal or remote (optional) temperature

TYPE	VT/OFF/VC	FAN SPEED*	LOCAL W/S
DB-TA-385-433	•	•	•

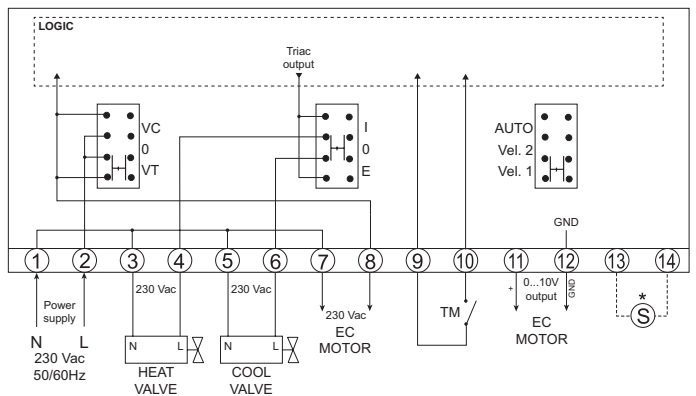
*2 manual constant speeds + automatic speed

Remote sensor with 2 m cable length selectable by jumper; code NT0220-NTC10-02

TECHNICAL DATA

- Power supply:** 230 Vca ± 10%, 50/60 Hz
- Fan output:** 0...10V Vcc (RL > 10 kOhm)
- Valve output:** Triac 0.5 A, 230 Vca
- Power consumption:** 1 W
- Sensor:** NTC 10K
- Setpoint:** 5...30 °C; mechanical limitation of the setpoint adjustment
- Operating temp.:** 0...+40 °C
- Storage:** 10...90 % u.r. (without condensing)
- Housing:** -20...+70 °C
- Protection:** < 95 % u.r.
- Dimensions:** ABS fireproof according to UL94 V-0 color (RAL 9010)
- Weight:** IP30, class II
- Weight:** 144 x 82 x 34 mm
- Weight:** 210 g

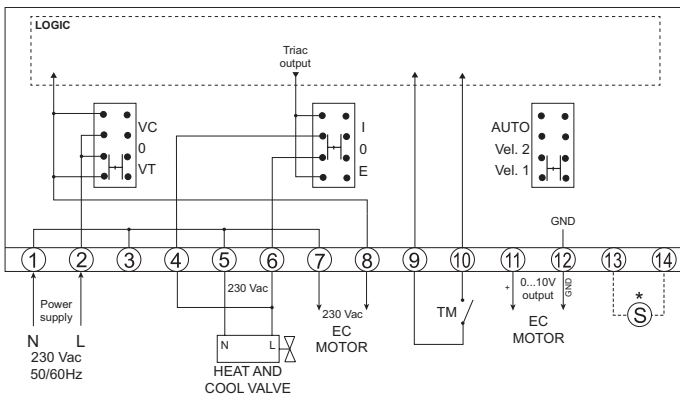
Wiring diagram for heating and cooling 4-pipe systems.



(*) remote sensor (optional)

WIRING DIAGRAMS

Wiring diagram for heating/cooling 2-pipe systems.



Jumper setting:

- J1 close = internal sensor
- J1 open = remote sensor

Factory setting: internal setting

