



DIGITAL CONTROLLERS WITH RELAYS

DB-R/1

FUNCTION

Control of 1 or 2 independent physical quantities with:

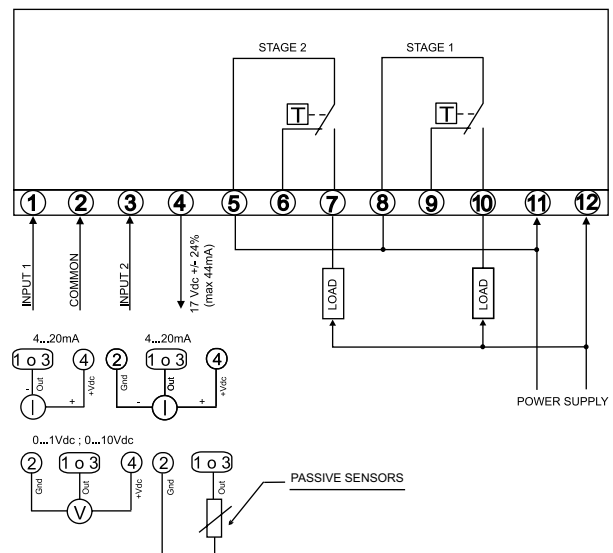
- 2 relay outputs;
- 1 output for power supply of active transducer (17 Vdc, max 44 mA);
- 3 digit display;

- red LED, output state indicator;
- push buttons for parameters setting;
- optical alarms;
- password and two access levels.

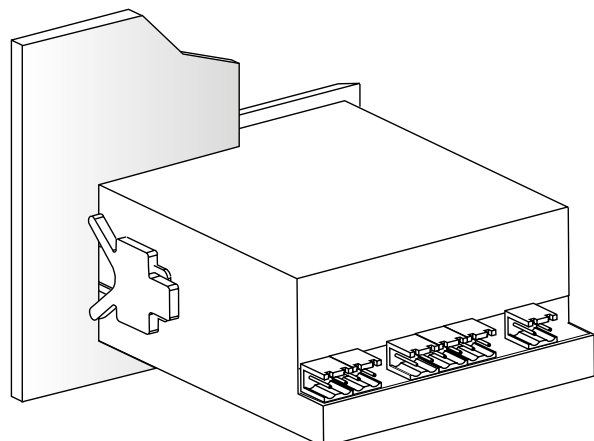
TECHNICAL DATA

| | |
|----------------------|---|
| Power supply: | see schedule on the following page |
| Input: | see schedule on the following page |
| Outputs: | 2 SPDT relays 8 A 230Vac |
| Power cons.: | < 3 W |
| Range: | see schedule on the following page |
| Working: | 0...+45 °C 10...90% r.h. (without condensing) |
| Storage: | -20...+70 °C <95% r.h. |
| Connections: | screw terminal block for cables up to 2.5 mm ² |
| Housing: | ABS fireproof plastic according to UL94 V-0 |
| Protection: | IP52 (only front plate), class II |
| Size: | 96 x 48 x 122 mm mounting hole: 92 x 45 mm |
| Weight: | 400 g |

WIRING DIAGRAM



MOUNTING



PART NUMBER SELECTION

| | Ingresso 1 | | | Ingresso 2 | | | X | 1 |
|---|------------|---|-------------------|------------|---|-------------------|---|----|
| | X | X | XX | X | X | XX | | |
| DB-R | X | X | XX | X | X | XX | X | 1 |
| INPUT 1 | | | | | | | | |
| NTC10-02 | 1 | 1 | 07 ⁽¹⁾ | | | | | |
| PTI000 | 2 | 1 | 08 ⁽¹⁾ | | | | | |
| PTC 2K | 3 | 1 | 09 ⁽¹⁾ | | | | | |
| NI1000-02 | 4 | 1 | 10 ⁽¹⁾ | | | | | |
| 0...1000 Ohm | 5 | 2 | 06 ⁽¹⁾ | | | | | |
| 0...1 Vdc (**) | 6 | | | | | | | |
| 0...10 Vdc (**) | 7 | | | | | | | |
| 0...20 mA (**) (R _m = 100 Ohm) | 8 | | | | | | | |
| 4...20 mA (**) (R _m = 100 Ohm) | 9 | | | | | | | |
| UNIT 1 | | | | | | | | |
| °C | | 1 | | | | | | |
| % r.h. | | 2 | | | | | | |
| bar | | 3 | | | | | | |
| mbar | | 4 | | | | | | |
| Pa | | 5 | | | | | | |
| RANGE 1 | | | | | | | | |
| 0...+50 °C | | | 01 | | | | | |
| -30...+50 °C | | | 02 | | | | | |
| -10...+40 °C | | | 03 | | | | | |
| 0...+100 °C | | | 04 | | | | | |
| -20...+80 °C | | | 05 | | | | | |
| 0...+100% r.h. | | | 06 | | | | | |
| -50...+110 °C | | | 07 | | | | | |
| -60...+600 °C | | | 08 | | | | | |
| -50...+150 °C | | | 09 | | | | | |
| -60...+200 °C | | | 10 | | | | | |
| Range on request (*) | | | 99 | | | | | |
| INPUT 2 | | | | | | | | |
| None | | | | 0 | 0 | 00 | | |
| NTC10K-02 | | | | 1 | 1 | 07 ⁽¹⁾ | | |
| PTI000 | | | | 2 | 1 | 08 ⁽¹⁾ | | |
| PTC 2K | | | | 3 | 1 | 09 ⁽¹⁾ | | |
| NI1000-02 | | | | 4 | 1 | 10 ⁽¹⁾ | | |
| 0...1000 Ohm | | | | 5 | 2 | 06 ⁽¹⁾ | | |
| 0...1 Vdc (**) | | | | 6 | | | | |
| 0...10 Vdc (**) | | | | 7 | | | | |
| 0...20 mA (**) (R _m = 100 Ohm) | | | | 8 | | | | |
| 4...20 mA (**) (R _m = 100 Ohm) | | | | 9 | | | | |
| UNIT 2 | | | | | | | | |
| None | | | | | | | 0 | |
| °C | | | | | | | 1 | |
| % r.h. | | | | | | | 2 | |
| bar | | | | | | | 3 | |
| mbar | | | | | | | 4 | |
| Pa | | | | | | | 5 | |
| RANGE 2 | | | | | | | | |
| None | | | | | | | | 00 |
| 0...+50 °C | | | | | | | | 01 |
| -30...+50 °C | | | | | | | | 02 |
| -10...+40 °C | | | | | | | | 03 |
| 0...+100 °C | | | | | | | | 04 |
| -20...+80 °C | | | | | | | | 05 |
| 0...+100% r.h. | | | | | | | | 06 |
| -50...+110 °C | | | | | | | | 07 |
| -60...+600 °C | | | | | | | | 08 |
| -50...+150 °C | | | | | | | | 09 |
| -60...+200 °C | | | | | | | | 10 |
| Range on request (*) | | | | | | | | 99 |
| POWER SUPPLY | | | | | | | | |
| 230 Vac ±10% 50/60 Hz | | | | | | | | 1 |
| 12 Vac ±10% 50/60 Hz | | | | | | | | 2 |
| OUTPUT | | | | | | | | |
| 2 SPDT relay 230Vac 8A | | | | | | | | |

(*) to specify during the ordering process

(1) fixed ranges

(**) working range can be chosen only for models with current (mA) or voltage (Vdc) inputs

