



## SPRING RETURN ACTUATORS (20 Nm)

## DB-DAxF, -DM24F

### FUNCTION

On / Off or modulating spring return damper control.  
The actuator opens the damper loading the return spring: when current is cut-off the spring moves the damper in a safe position. The actuator can be controlled manually by a suitable crank. By this way the spring can be loaded, and the actuator can be positioned as required.

### APPLICATIONS

Well-suited for applications with security dampers used as antifreeze, antismoke or for sealing in the hygienic-sanitary field.

TYPE	POWER SUPPLY	SIGNAL CONTROL
DB-DA24F	24 Vac/dc	on/off
DB-DA24F-S2	24 Vac/dc	on/off
DB-DA230F	230 Vac	on/off
DB-DA230F-S2	230 Vac	on/off
DB-DM24F	24 Vac/dc	0...10 Vdc

-S2 models with 2 auxiliary switches

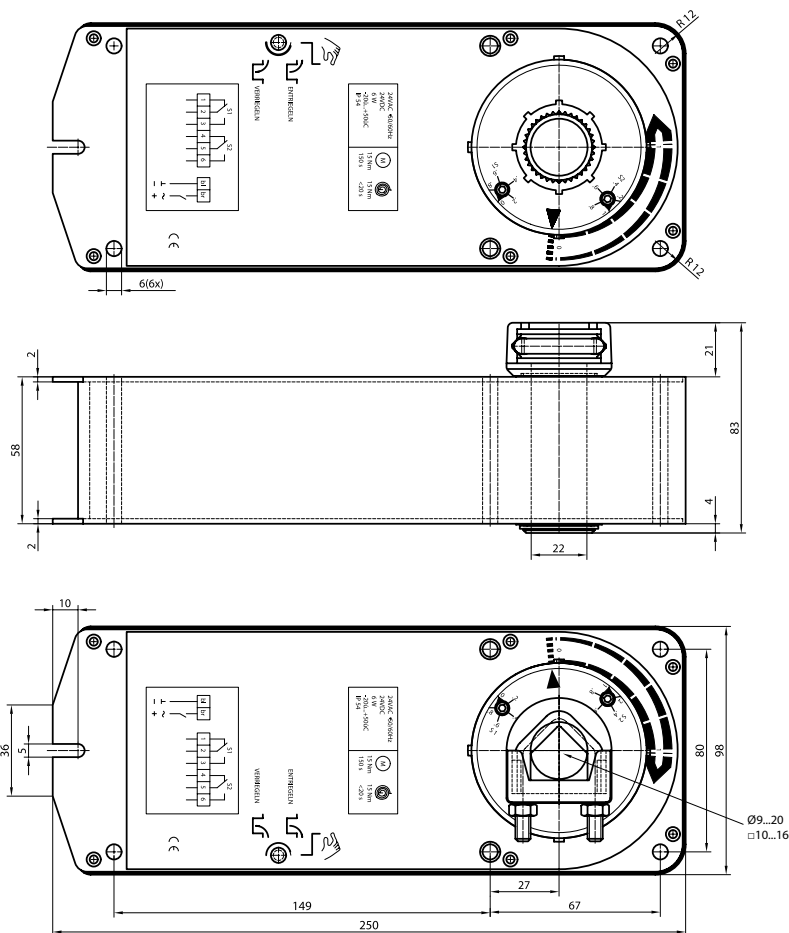
Actuator	DB-	DA24F	DA230F	DM24F
Position transducers	-	-	-	-
Drive torque	Nm	20	20	20
Damper area (*)	m <sup>2</sup>	3	3	3
Power supply	V	24 Vac/dc±20%	230 Vac ±15%	24 Vac/dc±20%
Frequency	Hz	50...60	50...60	50...60
Power consumption		24 Vac/dc	230 Vac	proportional
- operating		6.0W / 8.0 VA	9.0 W / 10.0 VA	7.0 W / 9.0 VA
Cable connection		0.9 m / 0.75 mm <sup>2</sup>	0.9 m / 0.75 mm <sup>2</sup>	0.9 m / 0.75 mm <sup>2</sup>
Running time				
- motor	s	150	150	150
- spring	s	20	20	20
Weight	g	1800	1800	1800
Control signal		2- point	2- point	0...10 Vdc
Rotation angle:				
- working range		90°	90°	90°
Auxiliary switches		5 A / AC 230 V	5 A / AC 230 V	-
Direction of rotation		bidirectional	bidirectional	bidirectional
Protection class		III	II	III
Degree of protection		IP54	IP54	IP54
Room temperature		-20...+50 °C	-20...+50 °C	-20...+50 °C
Room humidity		5...95% r.h.	5...95% r.h.	5...95% r.h.
Noise level				
- motor		< 45 dB	< 45 dB	< 45 dB
- spring		< 65 dB	< 65 dB	< 65 dB
Standards		CE	CE	CE

(\*) the indication of the damper area is not significant, the data that must be taken into account is the value of the torque in Nm.

# SPRING RETURN ACTUATORS (20 Nm)

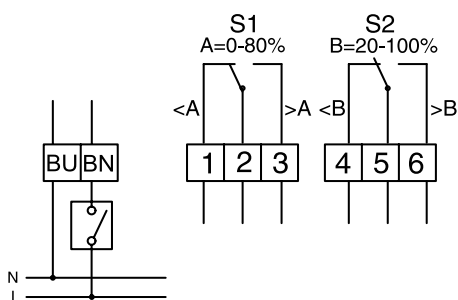
DB-DAxF, -DM24F

## DIMENSIONS (mm)



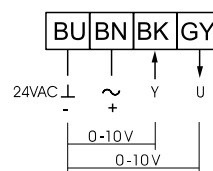
## Wiring diagram

DB-DA24F, DB-DA230F with 2 auxiliary switches



**BU** - blue  
**BN** - brown  
**BK** - black  
**GY** - grey

DB-DM24F



## Direction of rotation setting

