



SPRING RETURN ACTUATORS FOR FIRE DAMPERS (5 Nm)

AF..SE

FUNCTION

On / Off spring return for fire and smoke damper control.
 The actuator opens the damper loading the return spring: when current is cut-off the spring moves the damper in a safe position.
 The actuator can be controlled manually by a suitable crank.
 The actuator have a thermic device calibrated at 72 °C. When temperature reaches 72 °C the damper is closed.

APPLICATIONS

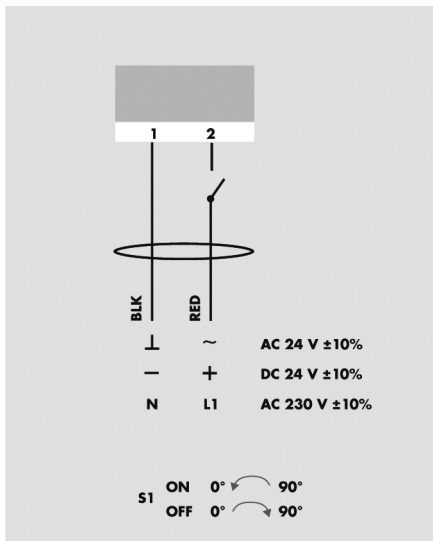
Well-suited for applications with security dampers used as antifreeze, antismoke or for sealing in the hygienic-sanitary field.

TYPE	POWER SUPPLY	THERMAL PROTECTION
AF24SE	24 Vac/dc	duct 72 °C
AF230SE	230 Vac	duct 72 °C

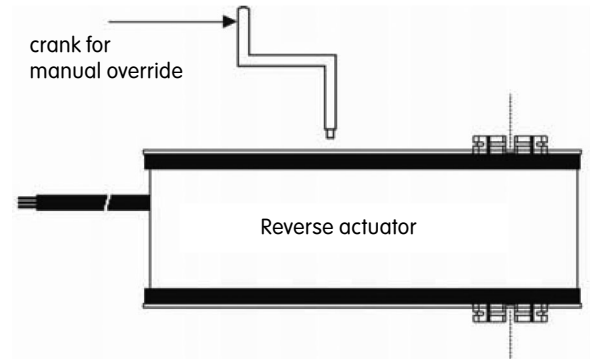
Actuator		AF24SE	AF230SE
Damper area (*)	m ²	1	1
Torque	Nm	5	5
Power supply	V	24 Vac/dc	230 Vac ±10%
Frequency	Hz	50...60	50...60
Power consumption			
- operating	W	7.2	4.2
- at the end stops		2.5	2.5
For wire sizing	VA	10	10
Running time			
- motor	s	50...70	50...70
- spring	s	< 20	< 20
Weight	g	1800	1900
Control signal		2- point	2- point
Rotation angle:			
- working range		90° (95° mechanical)	90° (95° mechanical)
Auxiliary switches (2 SPDT fixed)		3(1.5) A / AC230 V	3(1.5) A / AC230 V
Direction of rotation		bidirectional	bidirectional
Protection class		II	II
Degree of protection		IP54	IP54
Room temperature		-20 ... +50°C	-20 ... +50°C
Room humidity		5...95% r.h.	5...95% r.h.
Sensor action		72°C	72°C
Noise level		max 45 dB	max 45 dB
Standards		CE	CE

(*) the indication of the damper area is not significant, the data that must be taken into account is the value of the torque in Nm.

Wiring diagram



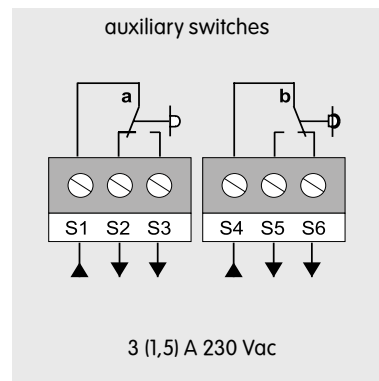
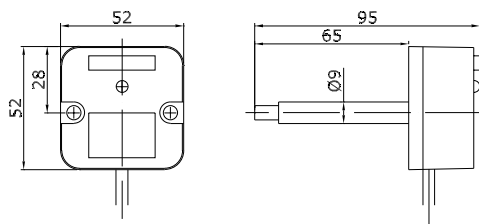
Direction of rotation setting



Auxiliary switches setting

Factory setting:
switch a fixed at 5°.
switch b fixed at 85°.
The switches are not adjustable

Thermal sensor



DIMENSIONS (mm)

