



## INDUSTRIAL TEMPERATURE TRANSMITTERS, IP65

TT

### FUNCTION

Temperature measuring and transmission in voltage, current values:

- 0...10 Vdc, 3 wires;
- 4...20 mA, 2 wires;

### APPLICATIONS

Designed for industrial applications with air duct mounting or wall mounting.

TYPE	RANGE °C	OUTPUT (TEMPERATURE)	ACCURACY (TEMPERATURE) °C	PROTECTION	APPLICATION	DIA- GRAM FIG.
TTC011	0...+50	0-10 Vdc	± 1	IP65	air duct	2
TTC012	-30...+50	0-10 Vdc	± 1,5	IP65	air duct	2
TTC013	0...+100	0-10 Vdc	± 2	IP65	air duct	2
TTC021	0...+50	4-20 mA	± 1	IP65	air duct	1
TTC022	-30...+50	4-20 mA	± 1,5	IP65	air duct	1
TTC023	0...+100	4-20 mA	± 2	IP65	air duct	1
TTE011	0...+50	0-10 Vdc	± 1	IP65	room/outdoor	2
TTE012	-30...+50	0-10 Vdc	± 1,5	IP65	room/outdoor	2
TTE013	0...+100	0-10 Vdc	± 2	IP65	room/outdoor	2
TTE021	0...+50	4-20 mA	± 1	IP65	room/outdoor	1
TTE022	-30...+50	4-20 mA	± 1,5	IP65	room/outdoor	1
TTE023	0...+100	4-20 mA	± 2	IP65	room/outdoor	1
TTI011	0...+50	0-10 Vdc	± 1	IP65	immersion	2
TTI012	-30...+50	0-10 Vdc	± 1,5	IP65	immersion	2
TTI013	0...+100	0-10 Vdc	± 2	IP65	immersion	2
TTI021	0...+50	4-20 mA	± 1	IP65	immersion	1
TTI022	-30...+50	4-20 mA	± 1,5	IP65	immersion	1
TTI023	0...+100	4-20 mA	± 2	IP65	immersion	1

<b>Accessory</b>	DBZ-22 - mounting bracket for air duct transmitters TTC
------------------	---

### CARATTERISTICHE TECNICHE

#### TECHNICAL DATA

**Power supply:** see electrical wiring  
**Outputs:** see schedule  
**Power cons.:** < 1 W  
**Elect. connections:** screw terminals max. 0.75 mm<sup>2</sup>  
**Measuring range:** see schedule  
**Sensor type:** NTC 10K  
**Working temp. (sensor):**  
 0...+50 °C (TTE)  
 -20...+100 °C (TTI)  
 -20...+80 °C (TTC)  
**Room temp.:** 0...+50 °C  
**Working humidity:** 10...95 % r.h.  
**Storage:** -20...+70 °C  
**Precision:**  
 max error 1 °C (range 0..50 °C)  
 max error 1.5 °C (range -30..50 °C)  
 max error 2 °C (range 0..100 °C)  
**Temp. dependence of electronics:**  
 output 4...20 mA (temperature): 0.015 °C/°C  
 output 4...20 mA  
 - power supply 11...17 Vdc: R<sub>t</sub> < 50 Ohm  
 - power supply 21...30 Vdc: R<sub>t</sub> < 500 Ohm  
 output 0...10 Vdc: R<sub>t</sub> > 1000 Ohm

**Insertion length:** TTC: 60...230 mm  
 TTI: 120 mm  
**Housing:** cover: withe polycarbonate  
 base: gray polycarbonate  
**Protezione:** IP65, class III (sensor excluded)  
**Dimension:** 75 x 75 x 36 mm (housing)  
**Weight:** 180...300 g

#### WIRING DIAGRAM

##### CURRENT (2 wires)

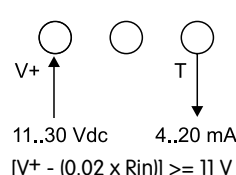


fig. 1

##### VOLTAGE

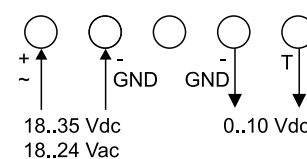
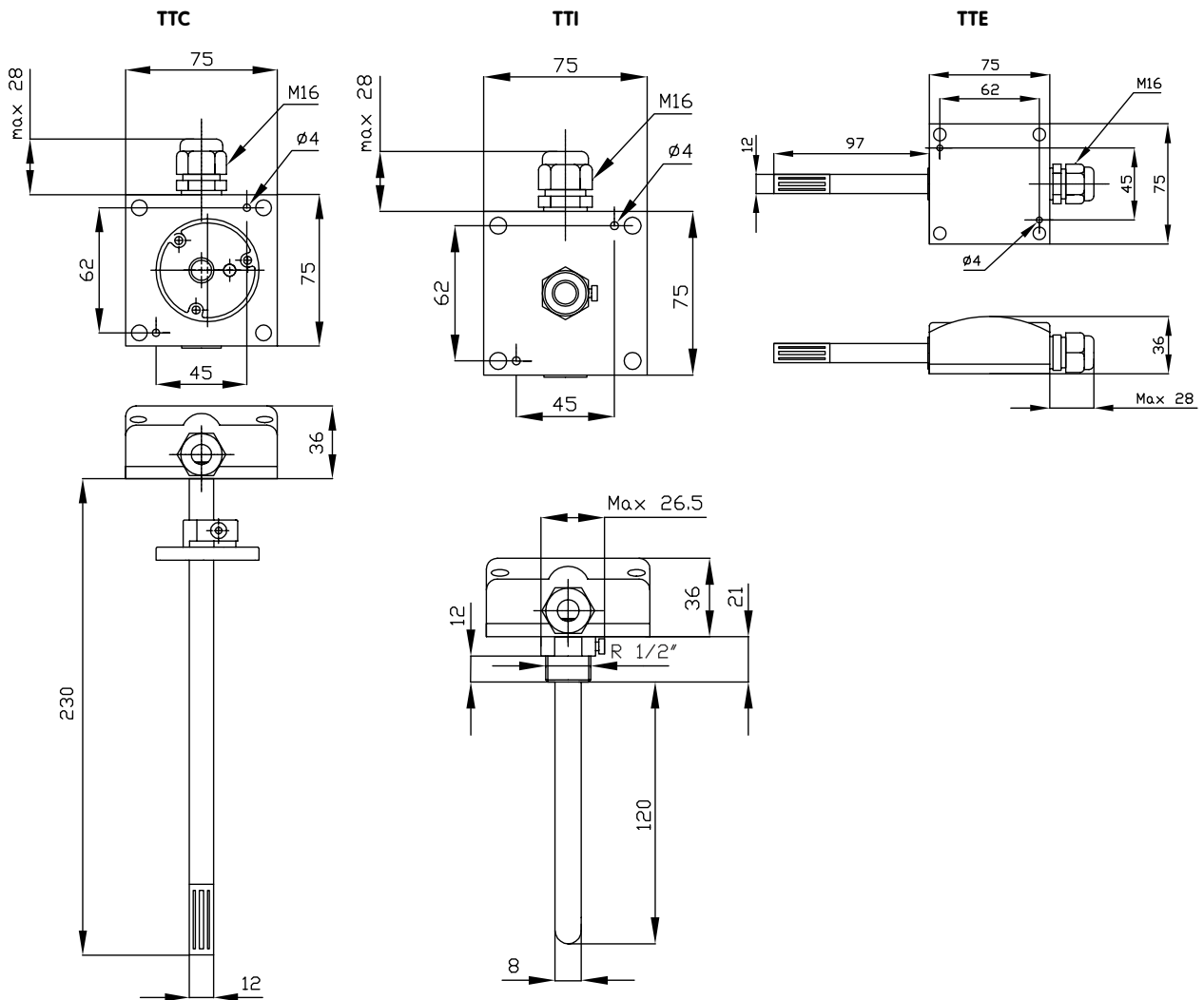


fig. 2

Wiring diagrams referred to the different models from the schedule.



DIMENSIONS (mm)



MOUNTING BRACKET DBZ-22 SUPPLIED WITH TTC

