



Immersion sensors with well and housing, intended for water temperature measurement

The STI series employs different types of sensors designed for use with AB Industrietechnik regulators and other manufacturers.

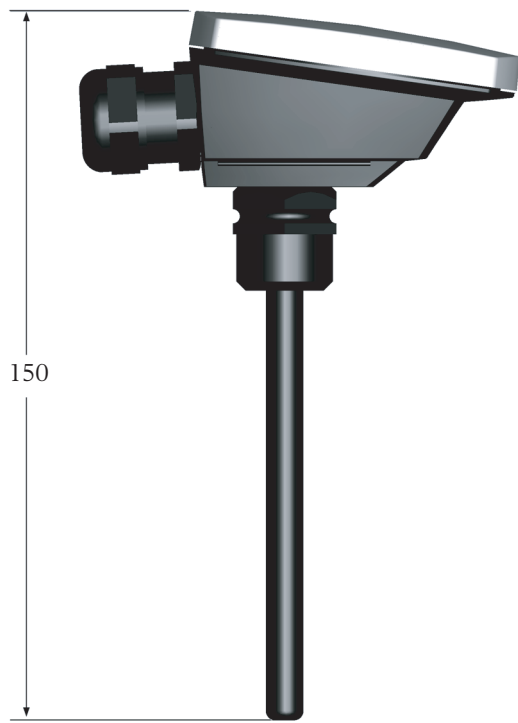
- M16 cable gland
- Bayonet mounted cover
- R1/2" thread
- Compact and modern design

TECHNICAL DATA

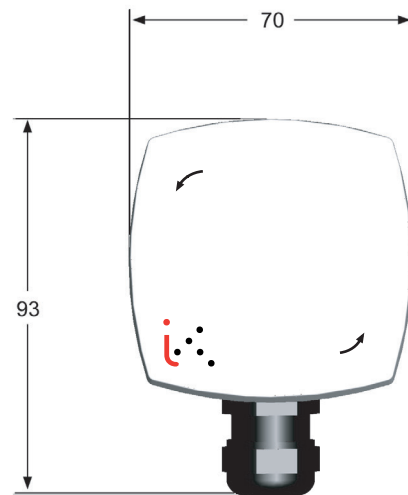
Range:	-20...+120°C	STI-NTC10-02: -20...+110 °C
Mounting:	immersion	
Insertion length well:	90 mm	
Thread:	R1/2"	
Diameter probe:	Ø 5 mm	
Diameter well:	Ø 8 mm	
Material probe:	Stainless steel, standard: SIS 2343 acid-resistant	
Material well:	Stainless steel, standard: SIS 2343 acid-resistant	
Pressure class:	PN25	
Protection:	IP65	
Size:	93 x 70 x 150 mm	

TYPE	SENSOR ELEMENT	COMPATIBLE
STI-PT100	PT100, 100 Ohm/0°C	
STI-PT1000	PT1000, 1000 Ohm/0°C	
STI-NTC1.8	NTC 1.8, 1800 Ohm/25°C	Tac
STI-NTC2.2	NTC 2.2k, 2252 Ohm/25°C	Johnsson Controls
STI-NTC10-01	NTC 10k, 10kOhm/25°C	Aquatrol - Johnson Controls - Satchwell - Trend - Cylon - Honeywell
STI-NTC10-02	NTC 10k, 10kOhm/25°C	Carel - Evco - Eliwell - AB Industrietechnik
STI-NTC10-03	NTC 10k, 10kOhm/25°C	Andover - Delta Controls - Siebe - York
STI-NTC20	NTC 20k, 20kOhm/25°C	Honeywell
STI-Ni1000-01	Ni1000, 1000 Ohm/0°C	Siemens - Landis & Staefa
STI-Ni1000-02	Ni1000, 1000 Ohm/0°C	Sauter

DIMENSIONS (mm)



Ø 8 mm



SENSOR CHARACTERISTICS

	PT100	PT1000	NTC 1,8K	NTC 2,2K	NTC 10K-01	NTC 10K-02	NTC 10K-03	NTC 15K-01	NTC 15K-02	NTC 15K-03	NTC 15K-04	NTC 20K	NI 1000-01	NI 1000-02
Compatible			Tac	Johnson Controls	Aquatrol - Johnson Controls - Satchwell - Trend - Cylon - Honeywell	Carel - Evco - Ellwell - AB Industrietechnik	Andover - Delta Controls - Siebe - York	Regin - AB Industrietechnik	Regin - AB Industrietechnik	Regin - AB Industrietechnik	Regin - AB Industrietechnik	Honeywell	Siemens - Landis & Staefa	Sauter
Temp. °C	Ω	Ω	Ω	Ω	Ω	Ω	Ω	Ω	Ω	Ω	Ω	Ω	Ω	Ω
150	157,3	1573			186									
140	153,6	1536			235								1737	1909
130	149,8	1498			301								1675	1833
120	146,1	1461			390								1615	1760
110	142,3	1423	138	115	511	758	624					818	1557	1688
100	138,5	1385	177	153	679	973	817					1114	1500	1618
90	134,7	1347	230	206	916	1266	1084					1541	1444	1549
80	130,9	1309	303	283	1255	1668	1457					2166	1390	1483
70	127,1	1271	404	395	1752	2228	1990					3098	1337	1417
65	125,2	1252	469	469	2083	2588	2338					3732	1311	1385
60	123,2	1232	547	560	2488	3020	2760		10000			4518	1285	1353
55	121,3	1213	640	672	2986	3536	3270					5494	1260	1322
50	119,4	1194	753	811	3602	4160	3893		10830	10000		6718	1235	1291
45	117,5	1175	888	984	4368	4911	4655			10830		8260	1210	1260
40	115,5	1155	1052	1199	5324	5827	5594		11670	11670	10000	10212	1186	1230
35	113,6	1136	1252	1471	6532	6940	6754			12500	10625	12698	1162	1200
30	111,7	1117	1498	1814	8055	8313	8196	10000	12500	13330	11250	15886	1138	1171
29	111,3	1113	1553	1893	8406	8622	8525	10170				16627	1132	1165
28	111,0	1110	1611	1977	8779	8944	8869	10330				17407	1128	1159
27	110,5	1105	1671	2064	9165	9281	9229	10500				18227	1123	1153
26	110,1	1101	1734	2156	9574	9632	9606	10670				19090	1119	1147
25	109,7	1097	1800	2252	10000	10000	10000	10830		14170	11875	20000	1114	1141
24	109,3	1093	1868	2353	10448	10380	10413	11000				20958	1109	1136
23	109,0	1090	1940	2460	10924	10780	10845	11170				21968	1105	1130
22	108,6	1086	2015	2572	11421	11200	11298	11330				23033	1100	1124
21	108,2	1082	2092	2689	11940	11630	11773	11500				24156	1095	1118
20	107,8	1078	2174	2813	12491	12090	12270	11670	13330	15000	12500	25340	1091	1112
19	107,4	1074	2258	2944	13073	12560	12791	11830				26491	1086	1107
18	107,0	1070	2347	3081	13681	13060	13337	12000				27912	1081	1101
17	106,6	1066	2440	3226	14325	13580	13910	12170				29307	1077	1095
16	106,2	1062	2537	3378	15000	14120	14510	12330				30782	1072	1089
15	105,9	1059	2638	3538	15710	14690	15140	12500			13125	32340	1068	1084
14	105,5	1055	2744	3707	16461	15280	15801	12370				33982	1063	1078
13	105,1	1051	2854	3886	17256	15900	16494	12830				35716	1058	1072
12	104,7	1047	2972	4074	18091	16560	17222	13000				37550	1054	1067
11	104,3	1043	3093	4272	18970	17240	17987	13170				39489	1049	1061
10	103,9	1039	3222	4482	19902	17960	18790	13330	14170		13750	41540	1045	1056
9	103,5	1035	3354	4703	20884	18700	19633	13500				43715	1040	1050
8	103,1	1031	3493	4936	21918	19480	20519	13670				46018	1036	1044
7	102,7	1027	3639	5183	23015	20300	21451	13830				48457	1031	1039
6	102,3	1023	3791	5443	24170	21150	22430	14000				51041	1027	1033
5	101,9	1019	3951	5718	25391	22050	23460	14170			14375	53780	1022	1028
4	101,6	1016	4120	6009	26683	23000	24545	14330				56678	1018	1022
3	101,2	1012	4296	6317	28051	23990	25687	14500				59751	1013	1016
2	100,8	1008	4481	6643	29498	25030	26890	14670				63011	1009	1011
1	100,4	1004	4677	6988	31030	26130	28156	14830				66469	1004	1005
0	100,0	1000	4882	7353	32650	27280	29490	15000	15000		15000	70140	1000	1000
-5	98,0	980	6059	9532	42327	33900	37310					92220	978	973
-10	96,1	961	7580	12460	55329	42470	47540					122260	956	946
-15	94,1	941	9519	16430	72957	53410	61020					163480	935	919
-20	92,2	922	12061	21863	97083	67770	78910					220600	914	893
-25	90,2	902	15359	29371	130422	86430	102900					300400	893	867
-30	88,2	882	19747	39855	176976	111300	135200					413400	872	842
-35	86,3	863											851	816
-40	84,3	843											831	791

AB Industrietechnik Srl

Via Julius Durst, 70 - 39042 Bressanone (BZ) - Italy
 Tel. +39 0472/830626 - Fax +39 0472/831840
 E-mail: info@industrietechnik.it
 Homepage: www.industrietechnik.it

