



BOILER THERMOSTATS WITH MANUAL RESET, IP54

TV

FUNCTION

Temperature control in pipes with normal fluids (water) for heating, cooling and air conditioning systems, boilers and heaters. Models with TB function, manual maximum reset.

APPLICATIONS

Well-suited for general applications in strong polluted domestic and industrial areas.

TYPE	RANGE 1 °C	RANGE 2 °C	DIFFERENTIAL RANGE 1 K	DIFFERENTIAL RANGE 2 K	MAX. BULB TEMP. °C	FUNCTION
TV090	0...+90		4±1		120	TR
TV090U	0...+90		4±1		120	TR
TVR6585	+65...+85		20±5		125	TB
TVR90110	+90...+110		20±5		125	TB
TV09090U	0...+90	0...+90	4±1	4±1	120	TR + TR
TV090UR85	0...+90	65 - 85	4±1	20±5	120	TB + TR

Accessory	
	DBZ-30/14 - Brass pocket 120mm, 10 x 0.5
	DBZ-40/14 - Brass pocket 120mm, 16
	DBZ-31/14 - Stainless steel AISI 304 pocket 120mm, 10 x 0.5
	DBZ-41/14 - Stainless steel AISI 304 pocket 120mm, 16

Note: the thermostats are supplied with standard pocket models DBZ-30/14 and DBZ-40/14

U models with range under the cover

TR with SPDT contact

TB manual maximum reset

The unit can be resetted only if the temperature drops the setpoint minus the value of differential.

TECHNICAL DATA

Sensitive element: copper bulb with 120 mm brass pocket (on request with 200 mm length)

Contacts: dust-tight microswitches with SPDT contacts (heat/cool)

Switch capacity: see wiring diagrams

Differential: see schedule

Working -35...+65 °C
10...90 % r.h. (without condensing)

Storage: -20...+70 °C
< 95% r.h.

Housing: Bayblend base, ABS cover
2 stage models: sealed ABS

Protection: IP54, class I

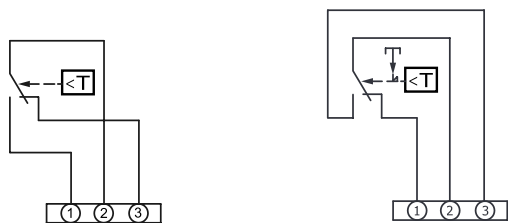
Size: 108 x 70 x 72 mm
132 x 88 x 70 mm (2 stage models)

Weight: 440 g ... 560 g

BOILER THERMOSTATS WITH MANUAL RESET, IP54

TV

WIRING DIAGRAM

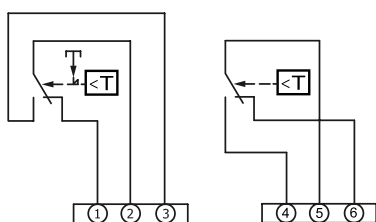


TR

NC 250 Vac 16 (6) A
NO 250 Vac 6 (4) A

TB

NC 250 Vac 16 (2,5) A
NO 250 Vac 0,5 A

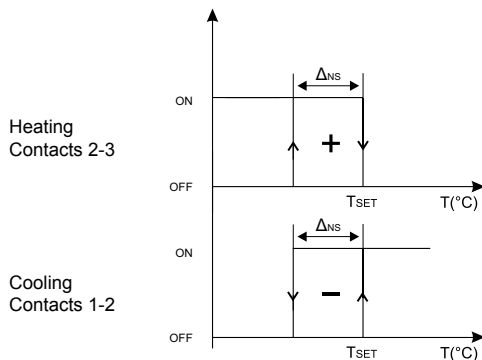


TB + TR

NC 250 Vac 16 (2,5) A NC 250 Vac 16 (6) A
NO 250 Vac 0,5 A NO 250 Vac 6 (4) A

Logic activation:

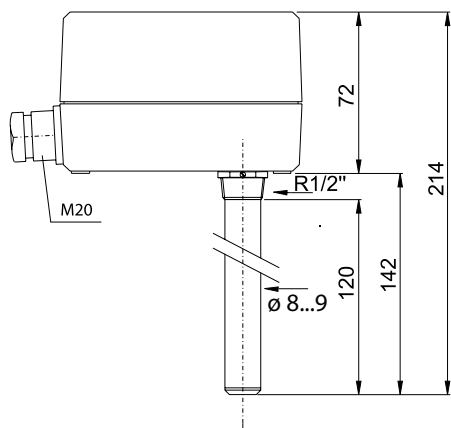
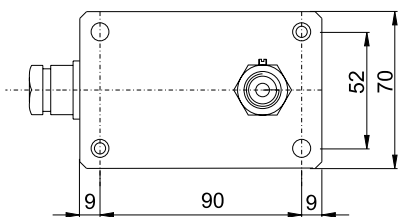
Valid only for TR function:



Δ_{NS} : differential in the stage
T_{SET}: setting setpoint
ON: closed contact
OFF: open contact

DIMENSIONS (mm)

One stage model



Multistage model

