



## CAPILLARY THERMOSTATS, IP54

TC

### FUNCTION

Temperature measurement and monitoring in normal fluids (water) and in non aggressive gases with a thermosensitive element coated with PVC.

### APPLICATIONS

Well-suited for heating, cooling and air conditioning systems in:

- domestic areas;
- industrial areas;
- commercial buildings and sport halls.

TYPE	RANGE °C	DIFFERENTIAL K	MAX. BULB TEMP. °C	POCKET m
TC060	0...+60	4±1	130	1,5
TC090	0...+90	4±1	130	1,5

Accessories	DBZ-30/14 - Brass pocket 120mm, 8 x 0.5
	DBZ-31/14 - Stainless steel AISI 304 pocket 120mm, 8 x 0.5

### TECHNICAL DATA

**Sensitive element:** liquid-filled coiled copper bulb with capillary PVC protected  
**Dim. bulb:** Ø 6.8  
**Dim. capillary:** length 1,5 m  
**Contacts:** dust-tight microswitches with SPDT contacts (heat/cool)  
**Switch capacity:** NC 16 (4) A 250 Vac  
 NO 10 (6) A 250 Vac  
**Differential:** fixed (see schedule)  
**Working** -10...+65 °C  
 10...90% r.h. (without condensing)  
**Storage:** -40...+70 °C  
 < 95% r.h.  
**Housing:** Bayblend base, ABS cover  
**Protection:** IP54, class I  
**Size:** 108 x 70 x 72 mm  
**Weight:** 360 g

### WIRING DIAGRAM

#### Heating

Connect to terminal 2 and to terminal 3 (fig. 1).  
 The contact opens during the temperature rising.

#### Cooling

Connect to terminal 2 and to terminal 1 (fig.1).  
 The contact opens during the temperature dropping.

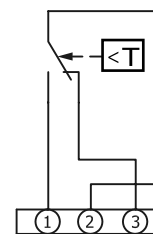
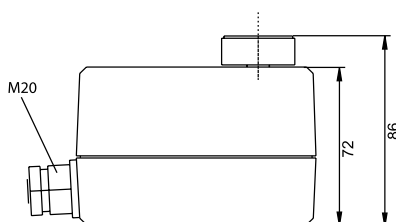
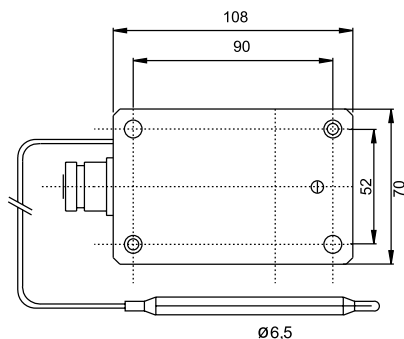
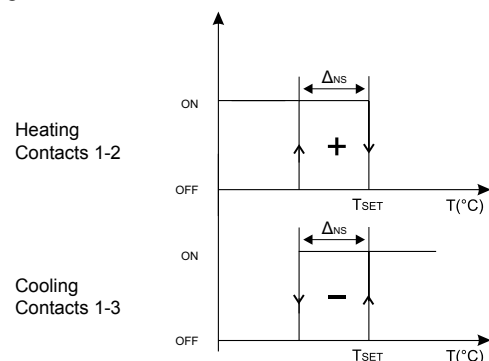


fig. 1

### DIMENSIONS (mm)



### Logic activation:



ΔNS: differential in the stage  
 TSET: setting setpoint  
 ON: closed contact  
 OFF: open contact