



CLAMP-ON THERMOSTATS, IP65

DBAT

FUNCTION

Single-stage fluid temperature control in metal pipes for heating, cooling and air conditioning plants.
Models with setpoint adjustment by knob on or under the cover, sensible element and mounting clamp for direct fixing on pipe.

APPLICATIONS

Well-suited for heating, cooling and air conditioning systems in strong polluted areas, domestic and industrial areas, commercial buildings, sport halls, storage room, garages, machine rooms, factories, greenhouses and agricultural installations.

RANGE	RANGE °C	DIFFERENTIAL K	MAX. BULB TEMP. °C
DBAT-3	0...+60	2...20	75
DBAT-3U	0...+60	2...20	75
DBAT-5	+20...+90	2...20	110
DBAT-5U	+20...+90	2...20	110

U models with range under the cover

TECHNICAL DATA

Sensitive element:	liquid-filled coiled copper bulb for contact
Contacts:	dust-tight microswitches with SPDT contacts (heat/cool)
Switch capacity:	15 (8) A, 24...250 Vac
Differentials:	see schedule
Working:	-35...+65 °C 10...90% r.h. (without condensing) -40...+70 °C < 95% r.h.
Storage:	-40...+70 °C < 95% r.h.
Housing:	Bayblend base, ABS cover
Protection:	IP65, class I
Size:	108 x 70 x 72 mm
Weight:	180...500 g

NOTE

The range may be calibrated by tuning carefully the hexagon nut under the knob (fig. 1).

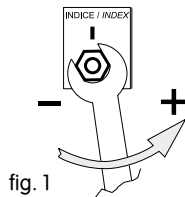
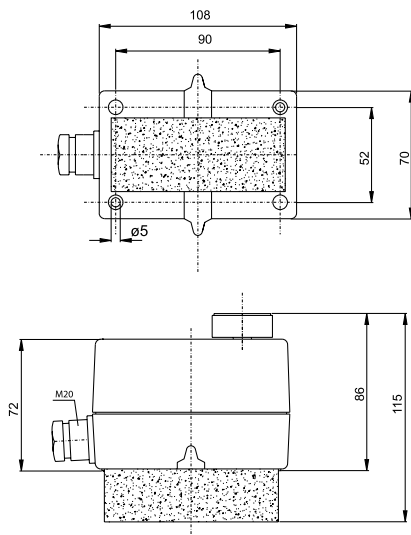


fig. 1

DIMENSIONS (mm)



WIRING DIAGRAM

Heating

Connect to red terminal and to blue terminal (fig. 2). The contact opens during the temperature rising.

Cooling

Connect to red terminal and to white terminal (fig. 2). The contact opens during the temperature dropping.

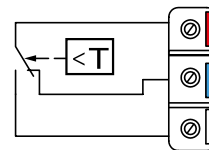
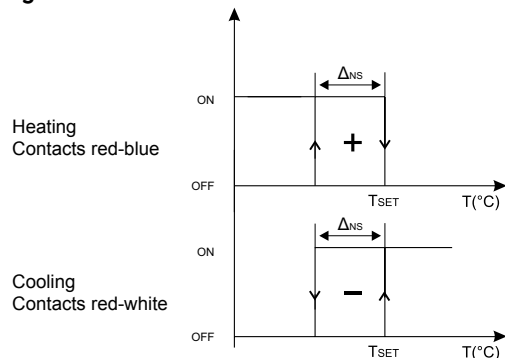


fig. 2

Logic activation:



Δ_{NS} : differential in the stage
 T_{SET} : setting setpoint

ON: closed contact
OFF: open contact

DIFFERENTIAL ADJUSTMENT IN THE STAGE

